

# Queensland Development Code

## Non-mandatory Part 1.10—Accessible Adult Change Facilities

---



## Contents

<b>Guide to using the QDC part .....</b>	<b>3</b>
<b>Chapter 1 Preliminary.....</b>	<b>4</b>
1 Name of the QDC part	4
2 Purpose	4
3 Application	4
4 Requirements of the BCA not varied	4
5 Referenced documents	4
6 Definitions	4
<b>Chapter 2 Performance criteria and acceptable solutions .....</b>	<b>5</b>
1 Circulation space	5
2 Hoist	7
3 Toilet	7
4 Toilet flush controls	7
5 Drop down grabrails	7
6 Tap and washbasin	8
7 Fixtures and fittings	8
7.1 Clothing hooks	8
7.2 Sling hooks	9
7.3 Disposal bins	9
7.4 Shelving	10
7.5 Privacy screen	12
8 Change table	13
8.1 Change table toilet paper dispenser	13
8.2 Change table sanitary wipes dispenser	13
8.3 Change table lighting	14
9 Changing rails	14
10 Door and door controls	15
10.1 Door	15
10.2 Door controls	15
11 Emergency alarm system	16
12 Shower	17

## Guide to using the QDC part

### Overview

This guide is intended to provide information to help readers understand and apply the *Queensland Development Code, Non-mandatory Part 1.10 — Accessible Adult Change Facilities* (the QDC part).

### What is the Queensland Development Code?

The Queensland Development Code (QDC) consolidates Queensland specific building standards into a single document. The QDC covers Queensland matters which are outside the scope of, and in addition to the Building Code of Australia (BCA).

### What buildings the QDC part applies to

This QDC part is non-mandatory, meaning it does not impose requirements on any building or building class. The QDC part may be voluntarily adopted when building an accessible adult change facility to a higher specification than the BCA.

### Relationship between the BCA and the QDC

Requirements under the BCA continue to apply. Additional requirements and variations under this QDC part will also satisfy the minimum requirements under the BCA.

### Terminology between the BCA and QDC

The following terms are used interchangeably between the BCA and QDC:

<b><i>Building Code of Australia</i></b>		<b><i>Queensland Development Code</i></b>
Performance requirement	➤	Performance criteria
Deemed to satisfy solution	➤	Acceptable solution
Performance solution	➤	Performance (or alternative) solution

## Chapter 1 Preliminary

### 1 Name of the QDC part

This part of the *Queensland Development Code* (QDC part) may be cited as the *Queensland Development Code, Non-mandatory Part 1.10 — Accessible Adult Change Facilities*.

### 2 Purpose

The purpose of this QDC part is to provide non-mandatory additional and varied technical building specifications to those in the BCA that apply to accessible adult change facilities.

### 3 Application

This QDC part may be voluntarily adopted when building an accessible adult change facility to a higher technical specification than the BCA.

### 4 Requirements of the BCA not varied

Where a requirement of the BCA is not varied by this QDC part, that requirement continues to apply.

### 5 Referenced documents

The table below sets out the number, year of commencement and title of each Australian Standard referred to elsewhere in this QDC part.

Number	Year	Title
AS1428.1	2009	Design for access and mobility Part 1: General requirements for access—New building work

### 6 Definitions

**acceptable solution** see the *Building Act 1975*, section 14.

**accessible** see the *Building Code of Australia*, volume 1.

**building** see the *Building Act 1975*, schedule 2.

**Building Code of Australia** see the *Building Act 1975*, section 12.

Note —

The BCA forms part of the National Construction Code Series published by the body known as the Australian Building Codes Board.

**incontinence pad disposal bin** means a bin that can be used to hygienically dispose of both incontinence and sanitary pads.

**Queensland Development Code (QDC)** see section 13 of the *Building Act 1975*.

## Chapter 2 Performance criteria and acceptable solutions

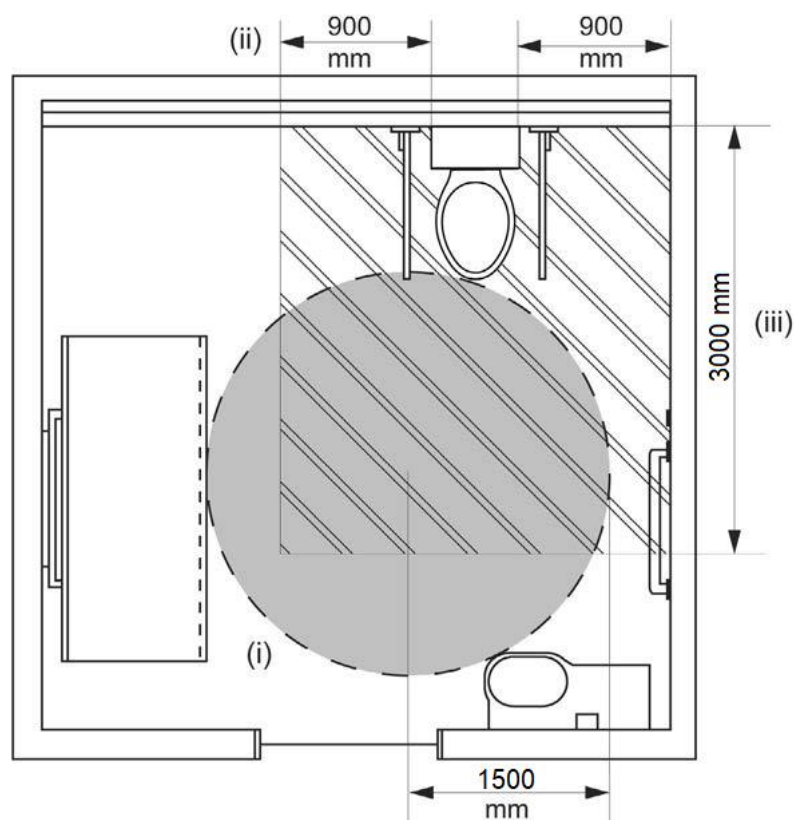
### 1 Circulation space

#### P1 Performance criteria

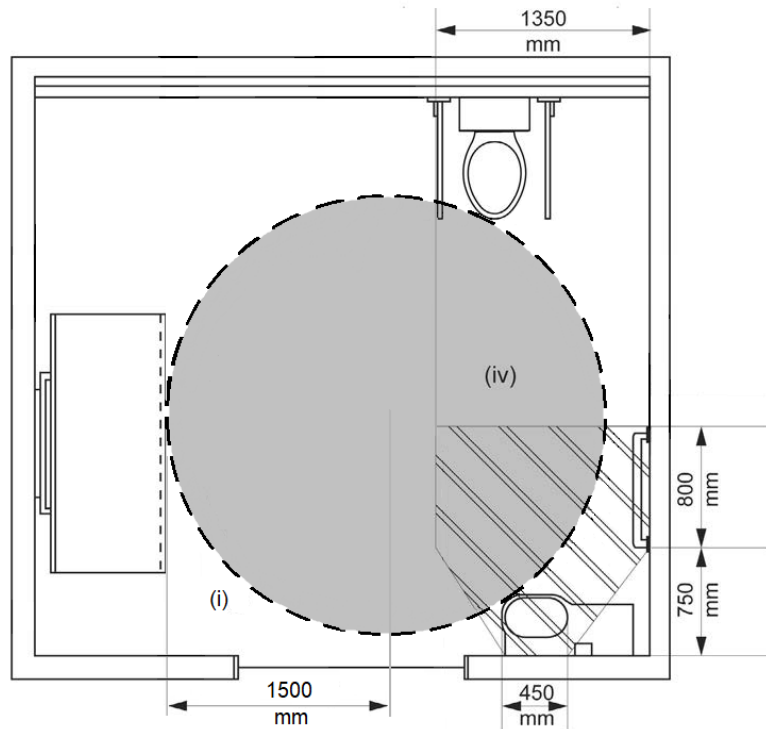
- (a) An accessible adult change facility must have space for an occupant to manoeuvre safely.

#### A1 Acceptable solution

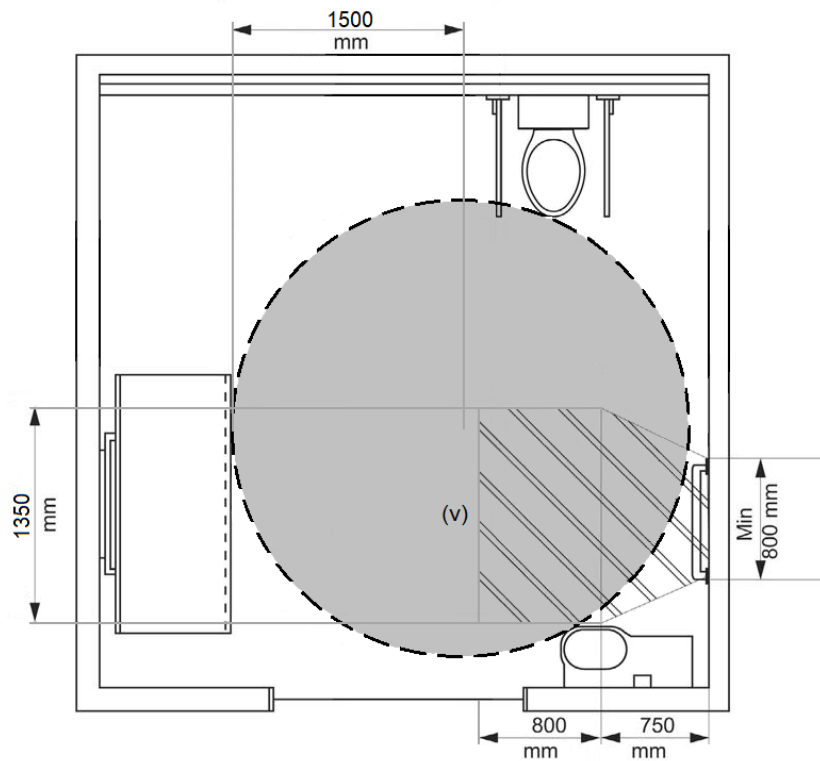
- (a) In specification F2.9 of the BCA, omit Diagram a and insert—



(b) In specification F2.9 of the BCA, omit Diagram b and insert—



(c) In specification F2.9 of the BCA, omit Diagram c and insert—



- (d) In specification F2.9(2), Notes to Figure 2, (a)(i) of the BCA, omit '1125 mm' and insert '1500 mm'.
- (e) In specification F2.9(2), Notes to Figure 2, (a)(iii) of the BCA, omit '2350 mm' and insert '3000 mm'.

## 2 Hoist

### P2 Performance criteria

- (a) A hoist in an accessible adult change facility must have a safe working load to support an occupant.

### A2 Acceptable solution

- (a) In specification F2.9(3)(c) of the BCA, omit '180 kg' and insert '250 kg'.

## 3 Toilet

### P3 Performance criteria

- (a) A toilet in an accessible adult change facility must have a safe load-rating to support an occupant.

### A3 Acceptable solution

- (a) In specification F2.9(4)(c)(iv) of the BCA, omit '150 kg' and insert '250 kg'.
- (b) In specification F2.9(4) of the BCA, insert—
  - '(aa) the toilet pan must be load-rated to 250 kg'.

## 4 Toilet flush controls

### P4 Performance criteria

- (a) Toilet flush controls in an accessible adult change facility must be suitably designed for ease of use.

### A4 Acceptable solution

- (a) Omit specification F2.9(4)(e) of the BCA and insert—
  - '(e) A toilet must include both—
    - (i) a hand-operated flush control; and
    - (ii) an automatically activated flush-control'

## 5 Drop down grabrails

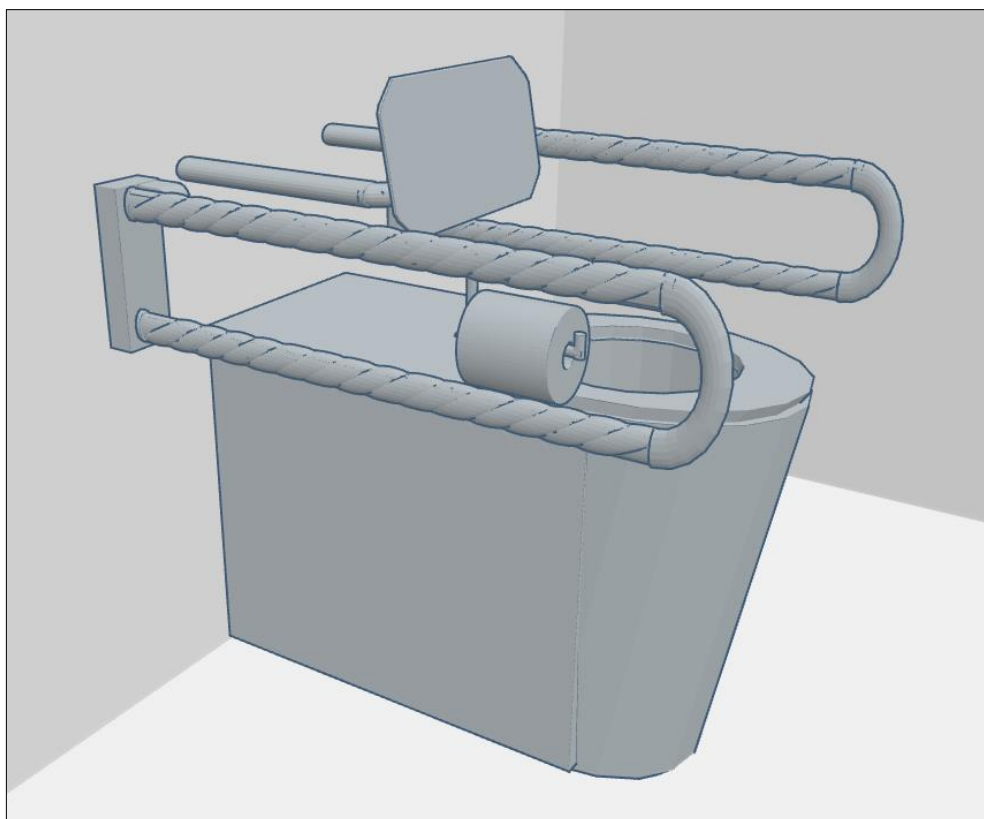
### P5 Performance criteria

- (a) An accessible adult change facility must have grabrails designed to safely assist an occupant transitioning to and from a seated position on the toilet seat.

### A5 Acceptable solution

- (a) In specification F2.9(4)(g)(iv) of the BCA, omit 'between 30 mm and 40 mm' and insert '32 mm'.
- (b) In specification F2.9(4)(g)(vi) of the BCA, after 'on one side' insert 'that is designed to ensure the toilet roll remains in position when the grabrails are moved into a drop-down position'
- (c) In specification F2.9(4)(g) of the BCA, insert—
  - '(viii) with a slip-reducing swage pattern in the straight lengths of the rails'

Diagram d. Example of slip-reducing swage pattern in grabrail



## 6 Tap and washbasin

### P6 Performance criteria

- (a) A tap and washbasin in an accessible adult change facility must be designed for ease of use.

### A6 Acceptable solution

- (a) In specification F2.9(5) of the BCA, insert—

‘(h) A tap lever handle must not be more than 300 mm from the front of the basin throughout the arc of its movement.

(i) The outlet of the mixing spout must not be more than 300 mm from the front of the basin.’

## 7 Fixtures and fittings

### 7.1 Clothing hooks

#### P7.1 Performance criteria

- (a) An accessible adult change facility must have clothing hooks to provide for the needs of an occupant.

#### A7.1 Acceptable solution

- (a) Omit specification F2.9(6)(d) of the BCA and insert—

‘(d) Clothing hook:



- (i) The accessible adult change facility must have a minimum of two clothing hooks located—
  - (A) at a height of between 1200 mm and 1350 mm above finished floor level; and
  - (B) not less than 500 mm from any internal corner.
- (ii) One of the clothing hooks in (i) must be located adjacent to the washbasin.
- (iii) Clothing hooks must—
  - (A) extend 15 mm to 25 mm from the wall mount; and
  - (B) have rounded edges and ends.'

## 7.2 Sling hooks

### P7.2 Performance criteria

- (a) An accessible adult change facility must have sling hooks to provide for the needs of an occupant.

### A7.2 Acceptable solution

- (a) Omit specification F2.9(6)(e) of the BCA and insert—

'(e) Sling hook:

- (i) The accessible adult change facility must have a minimum of two sling hooks located at a height of 1500 mm above the finished floor level.
- (ii) One of the sling hooks in (i) must be located within 500 mm from the end of the change table.
- (iii) Sling hooks must—
  - (A) extend 50 mm to 75 mm from the wall mount; and
  - (B) have rounded edges and ends.'

## 7.3 Disposal bins

### P7.3 Performance criteria

- (a) An accessible adult change facility must include disposal bins to provide for the needs of an occupant.

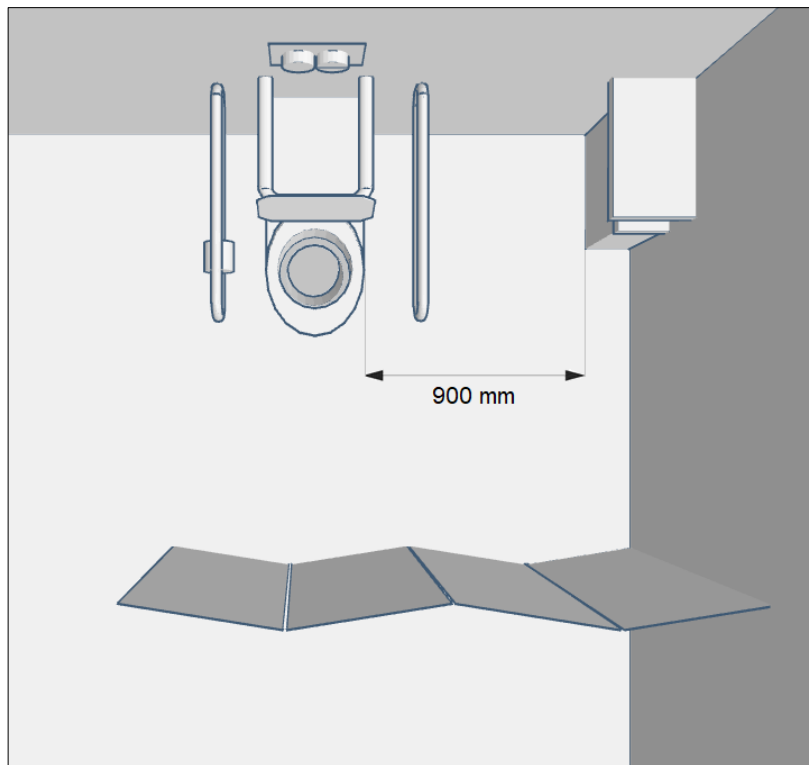
### A7.3 Acceptable solution

- (a) Omit specification F2.9(6)(f) of the BCA and insert—

'(f) Disposal bins:

- (i) The accessible adult change facility must have disposal bins located in the following positions—
  - (A) A sanitary disposal bin in the corner adjacent to the toilet pan; and
  - (B) An incontinence pad disposal bin in the corner adjacent to the change table.
- (ii) The sanitary pad disposal bin in (i)(A) must not encroach on the 900 mm of clear circulation space measured from the side of the toilet pan.
- (iii) The incontinence pad disposal bin in (i)(B) may be recessed into the wall.'

Diagram e. 900 mm circulation space between toilet pan and sanitary pad disposal bin



## 7.4 Shelving

### P7.4 Performance criteria

- (a) An accessible adult change facility must have shelf space to provide for the needs of an occupant.

### A7.4 Acceptable solution

- (a) In specification F2.9(6) of the BCA, insert—

‘(g) Shelves:

- (i) The accessible adult change facility must include—
  - (A) a shelf located near the washbasin that is separate from the integrated washbasin shelf; and
  - (B) a fixed or fold-down shelf located near the toilet.
- (ii) A shelf in (i) must be no less than 500 mm long and 300 mm wide.
- (iii) A shelf in (i)(A) may be located above the integrated washbasin shelf provided it does not obstruct the shelf space below.
- (iv) A shelf in (ii)(B)—
  - (A) must be located at a height of between 900 mm and 910 mm measured from the top of the shelf to the finished floor level; and
  - (B) may be located above the sanitary pad disposal bin provided it does not obstruct the use of the bin.’

Diagram f. Example of shelf located above integrated washbasin shelf

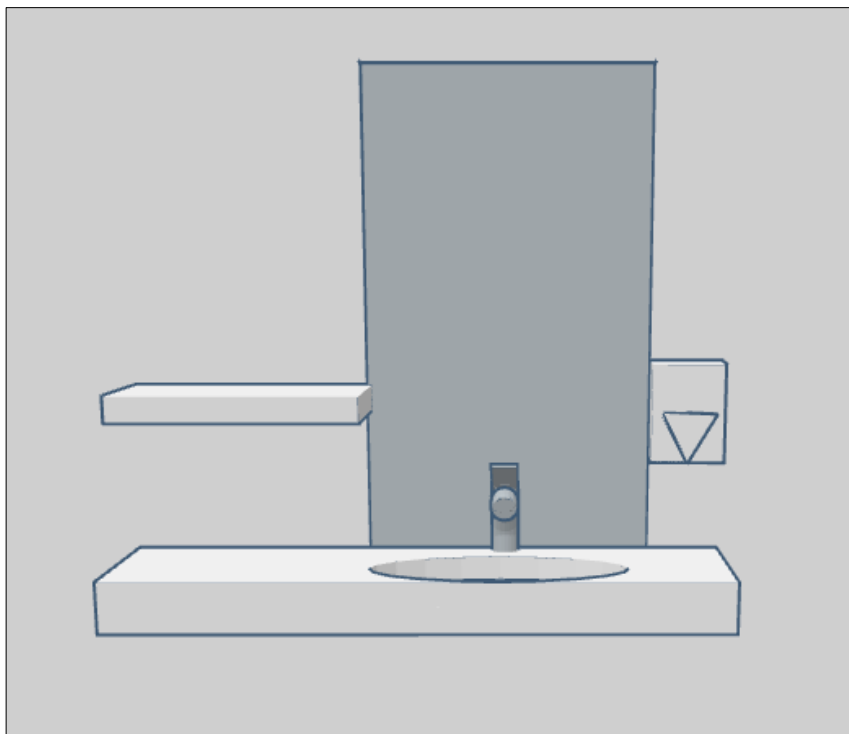
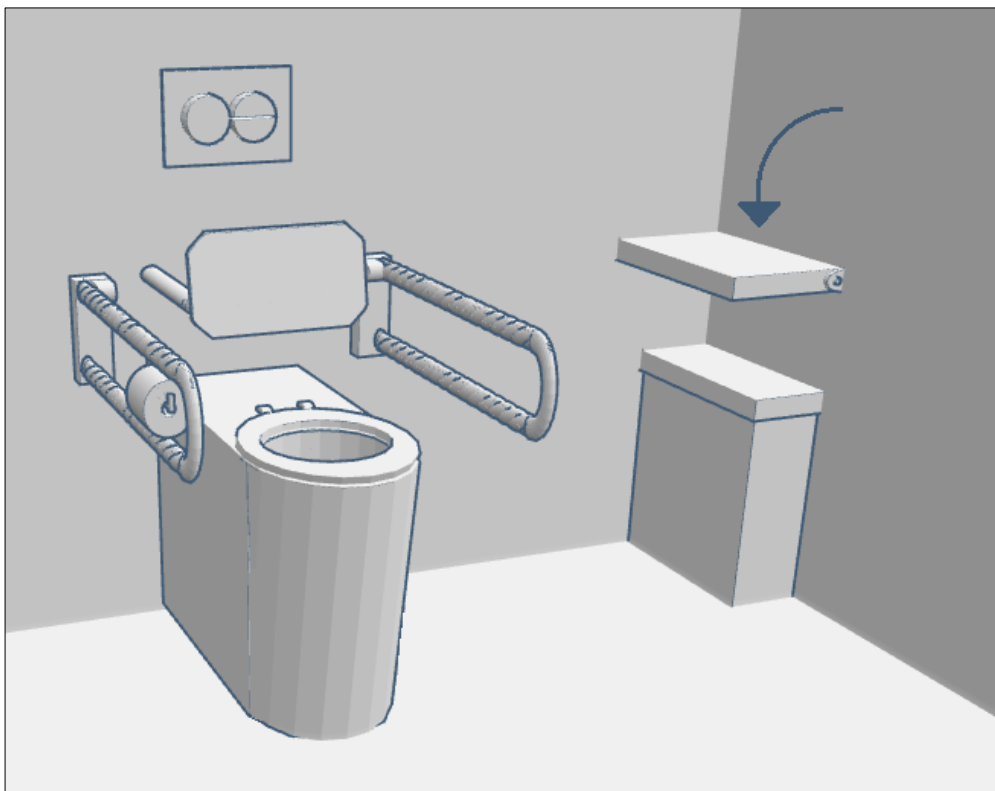


Diagram g. Example of fold-down shelf located above the sanitary pad disposal bin



## 7.5 Privacy screen

### P7.5 Performance criteria

- (a) An accessible adult change facility must include a privacy screen to ensure the privacy of occupants seated on the toilet.

### A7.5 Acceptable solution

- (a) In specification F2.9(6) of the BCA, insert—

'(h) Privacy screen:

The accessible adult change facility must have a wall-mounted retractable privacy screen—

- (i) between 1400 mm and 1600 mm high;
- (ii) at least 1750 mm in length;
- (iii) located 900 mm from the front of the toilet pan; and
- (iv) made from a material that can be hygienically cleaned.'

Diagram h. Privacy screen dimensions

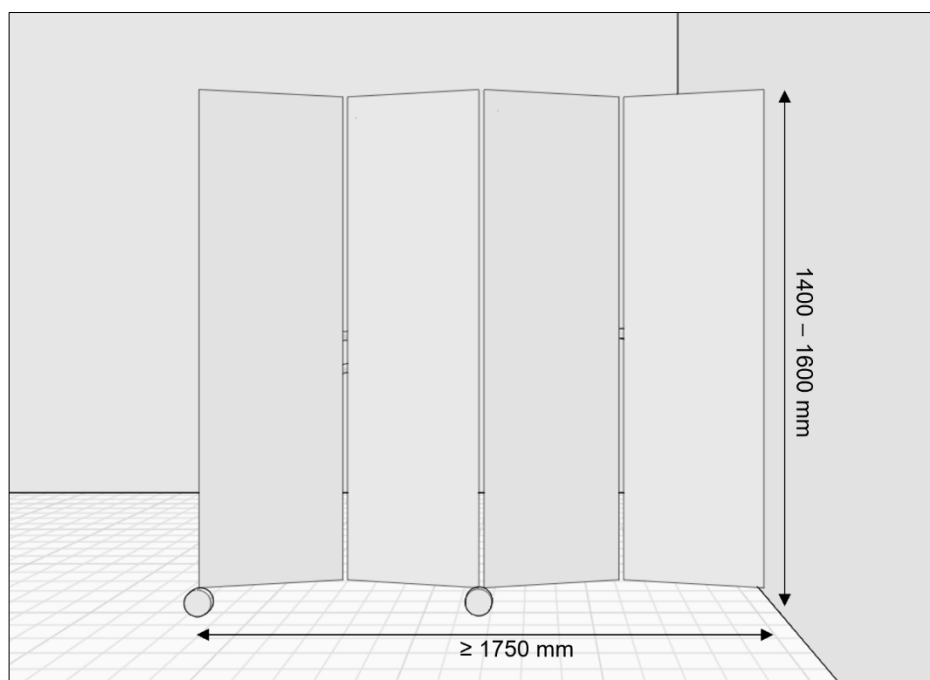
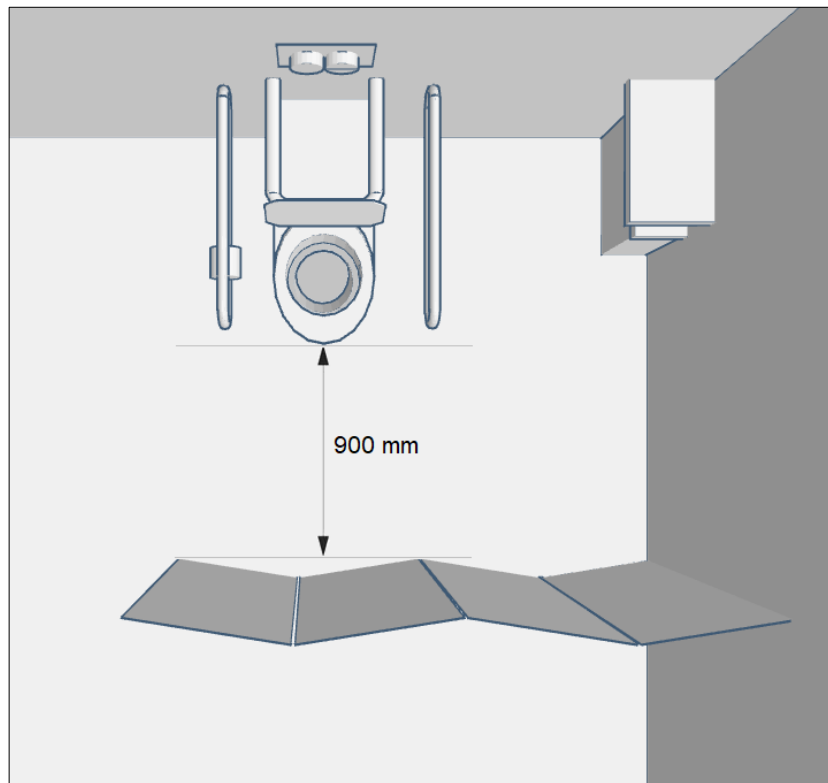


Diagram i. Circulation space between toilet pan and wall-mounted retractable privacy screen



## 8 Change table

### 8.1 Change table toilet paper dispenser

#### P8.1 Performance criteria

- (a) An accessible adult change facility must have a toilet paper dispenser at the change table to provide for the needs of an occupant.

#### A8.1 Acceptable solution

- (a) In specification F2.9(7) of the BCA, insert—

‘(f) A toilet roll holder must be provided next to the change table at a height of between 900 mm and 1200 mm above the finished floor level.’

### 8.2 Change table sanitary wipes dispenser

#### P8.2 Performance criteria

- (b) An accessible adult change facility must have a sanitary wipe dispenser at the change table to provide for the needs of an occupant.

#### A8.2 Acceptable solution

- (a) Omit specification F2.9(7)(d) of the BCA and insert—

‘(d) A dispenser for sanitary wipes must be provided next to the change table at a height of between 900 mm and 1200 mm above the finished floor level.’

### 8.3 Change table lighting

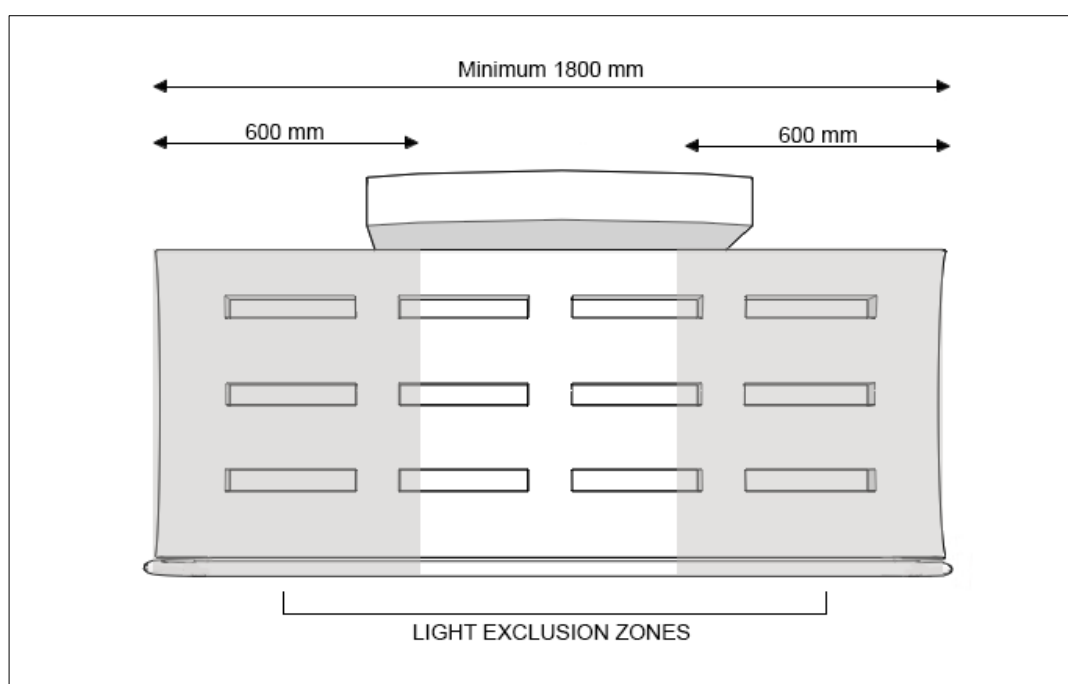
#### P8.3 Performance criteria

- (a) Lighting situated above the change table must be suitable for an occupant with sensitivity to light.

#### A8.3 Acceptable solution

- (a) In specification F2.9(7) of the BCA, insert—
- ‘(g) Down lighting must—
- (i) be installed above the centre of the change table; and
  - (ii) not cast bright light within 600 mm of the ends of the table.’

Diagram j. Light exclusion zones



## 9 Changing rails

#### P9 Performance criteria

- (a) An accessible adult change facility must include changing rails to support the needs of an occupant.

#### A9 Acceptable solution

- (a) In specification F2.9(8) of the BCA, omit 'between 30 and 40 mm' and insert 'of 32 mm'.
- (b) In specification F2.9(8) of the BCA, insert—
- ‘(d) there must be a slip-reducing swage pattern in the straight lengths of the rails.’

## 10 Door and door controls

### 10.1 Door

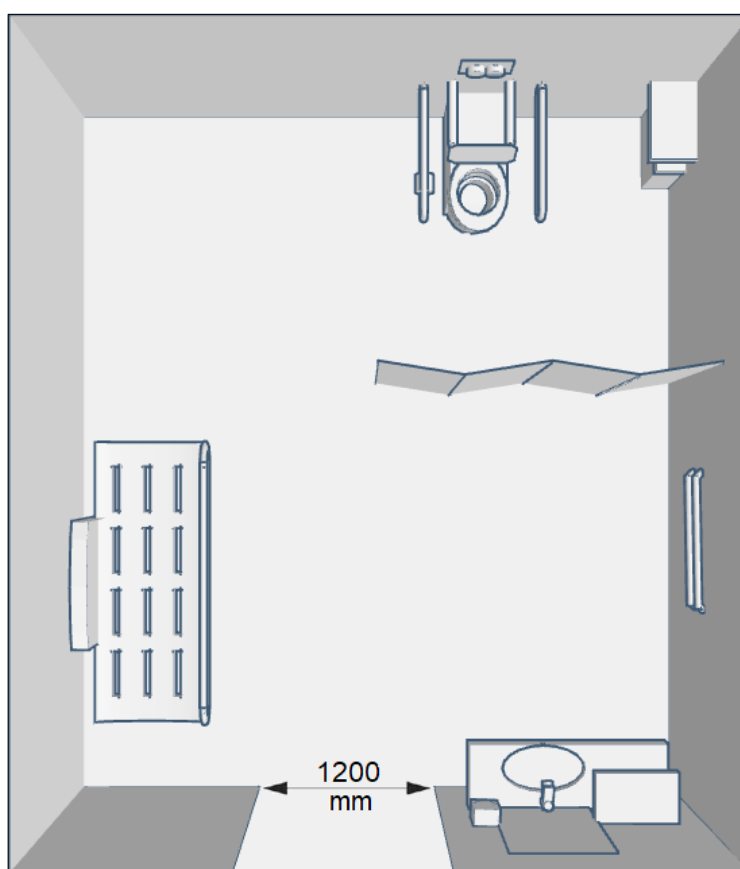
#### P10.1 Performance criteria

- (b) An accessible adult change facility must have a door opening wide enough for occupants to pass through unobstructed.

#### A10.1 Acceptable solution

- (a) Omit specification F2.9(9)(b) of the BCA and insert—  
 '(b) The minimum clear opening width must be 1200 mm.'

Diagram k. Door opening width



### 10.2 Door controls

#### P10.2 Performance criteria

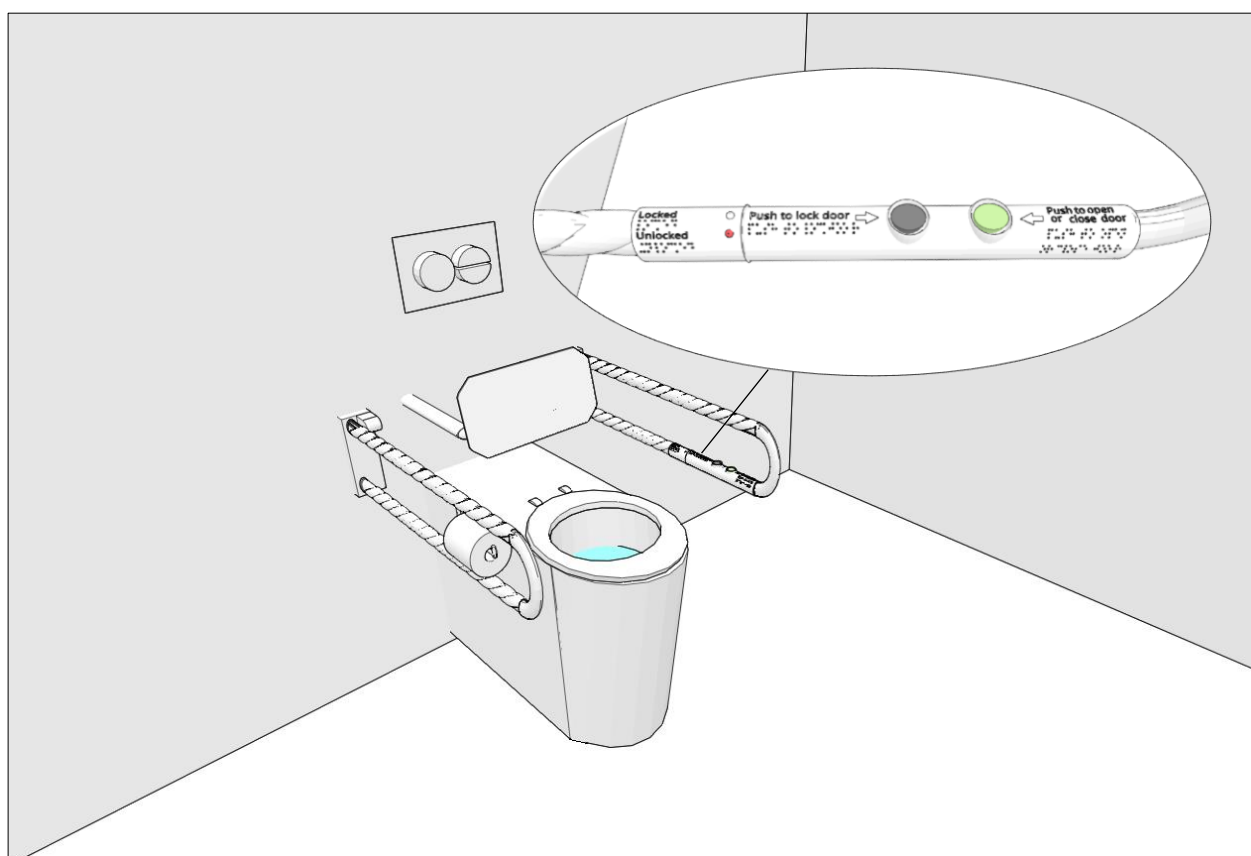
- (a) An accessible adult change facility must have door controls that allow an occupant to enter and exit the facility.

#### A10.2 Acceptable solution

- (a) In specification F2.9(9) in the BCA, insert—  
 '(k) In addition to the requirements in (f), a secondary internal door control must be located—  
 (i) on the wall near the toilet; or  
 (ii) recessed in a toilet grab rail.'

- (l) A secondary internal door control in (k)(ii) does not need to comply with (f) to (j) but it must include—
- (i) control buttons of a contrasting colour to the surrounding plate;
  - (ii) the words ‘Push to Open or Close Door’ on the surrounding plate;
  - (iii) a light indicator on the surrounding plate to indicate if the door is locked or unlocked; and
  - (iv) braille and tactile signage complying with D3.6 of the BCA to identify the door control.’

Diagram I. Example of secondary control button recessed in toilet grab rail



## 11 Emergency alarm system

### P11 Performance criteria

- (a) An accessible adult change facility must include an emergency alarm system to ensure the safety of an occupant.

### A11 Acceptable solution

- (a) In specification F2.9, insert—

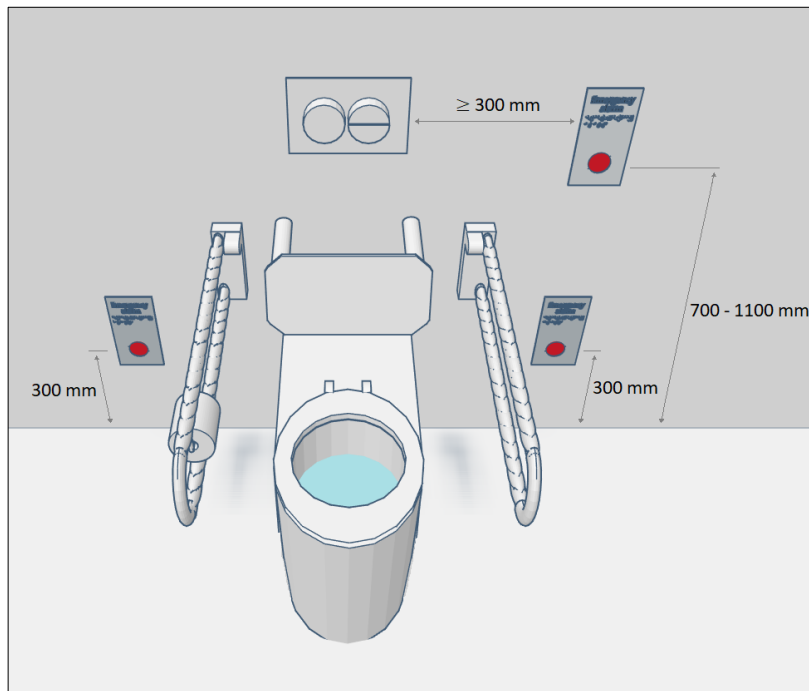
#### ‘12. Emergency alarm system

- (a) An accessible adult change facility must have emergency alarm buttons located—
- (i) on the wall on either side of the toilet at a height of 300 mm above the finished floor level;
  - (ii) on the wall near the toilet—



- (A) at a height between 700 mm and 1100 mm above the finished floor level; and
  - (B) at least 300 mm away from the toilet flush control;
- (iii) if a shower is installed, on the wall near the shower at a height of 300 mm above the finished floor.
- (b) Emergency alarm buttons must—
- (i) be of a non-protruding design;
  - (ii) be of a contrasting colour to the surrounding plate;
  - (iii) include the words 'Emergency alarm' on the surrounding plate; and
  - (iv) include braille and tactile signage complying with D3.6 of the BCA to identify the emergency alarm button.'

Diagram m. Emergency alarm button placement



## 12 Shower

### P12 Performance criteria

- (a) An accessible adult change facility at a public swimming pool or sporting complex must include shower facilities.

### A12 Acceptable solution

- (a) An accessible adult change facility at a public swimming pool or sporting complex must include a shower that complies with AS 1428.1.